



PROTECT

combined with active carbon

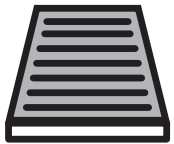


FOR VOLKSWAGEN GOLF III A/C+ (09/91 > 07/93) / VENTO A/C+/- (11/91 > 07/93)

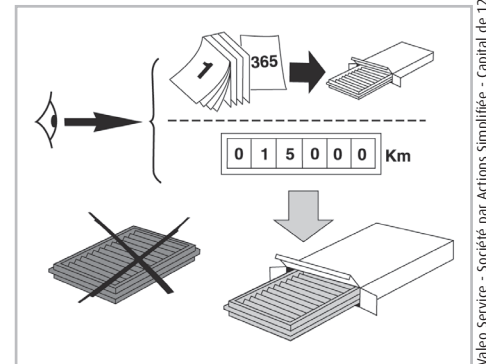
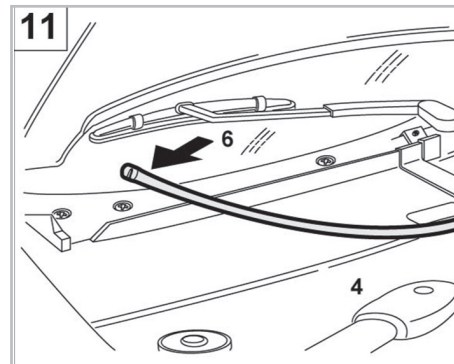
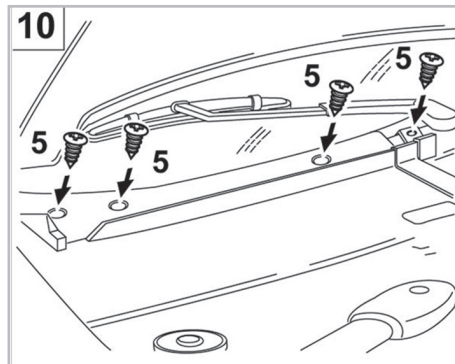
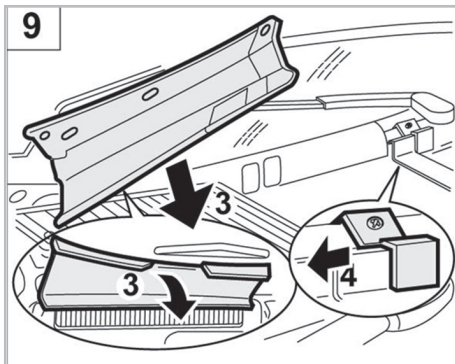
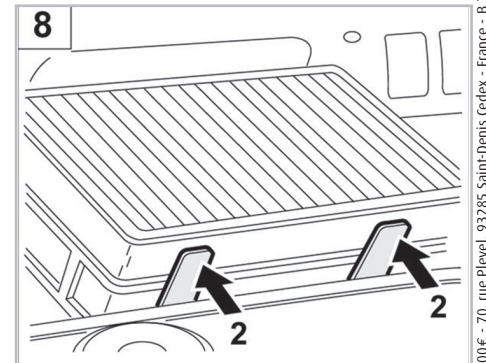
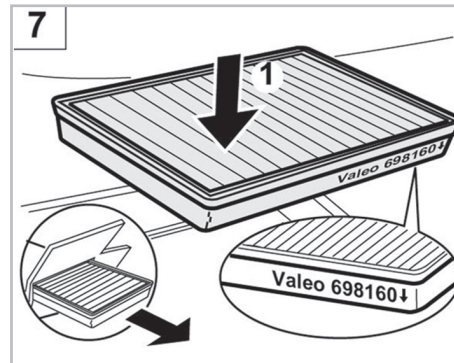
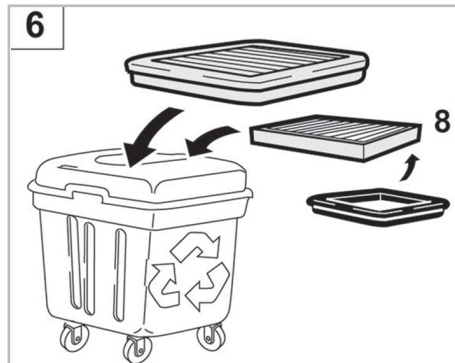
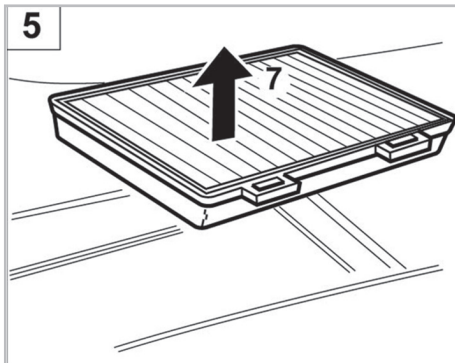
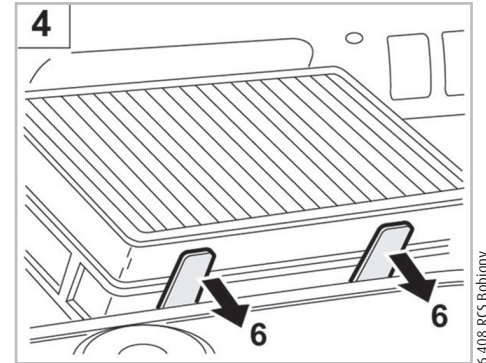
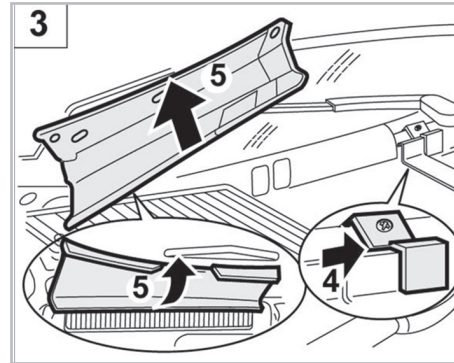
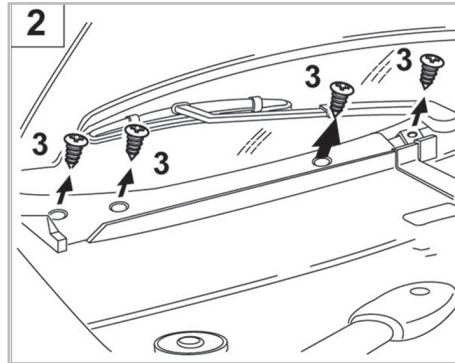
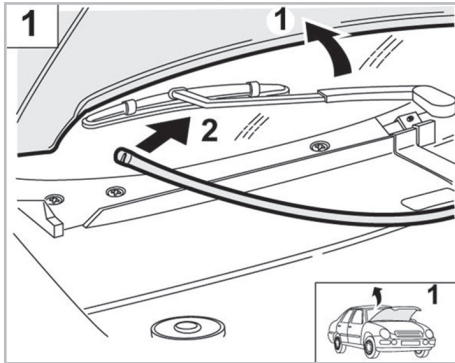


698160

FH300



CA



WANT TO KNOW MORE?



www.valeo-techassist.com

Valeo Service - Société par Actions simplifiée - Capital de 12 900 000 € - 70, rue Playel, 93285 Saint-Denis Cedex - France - B 306 486 408 RCS Bobigny